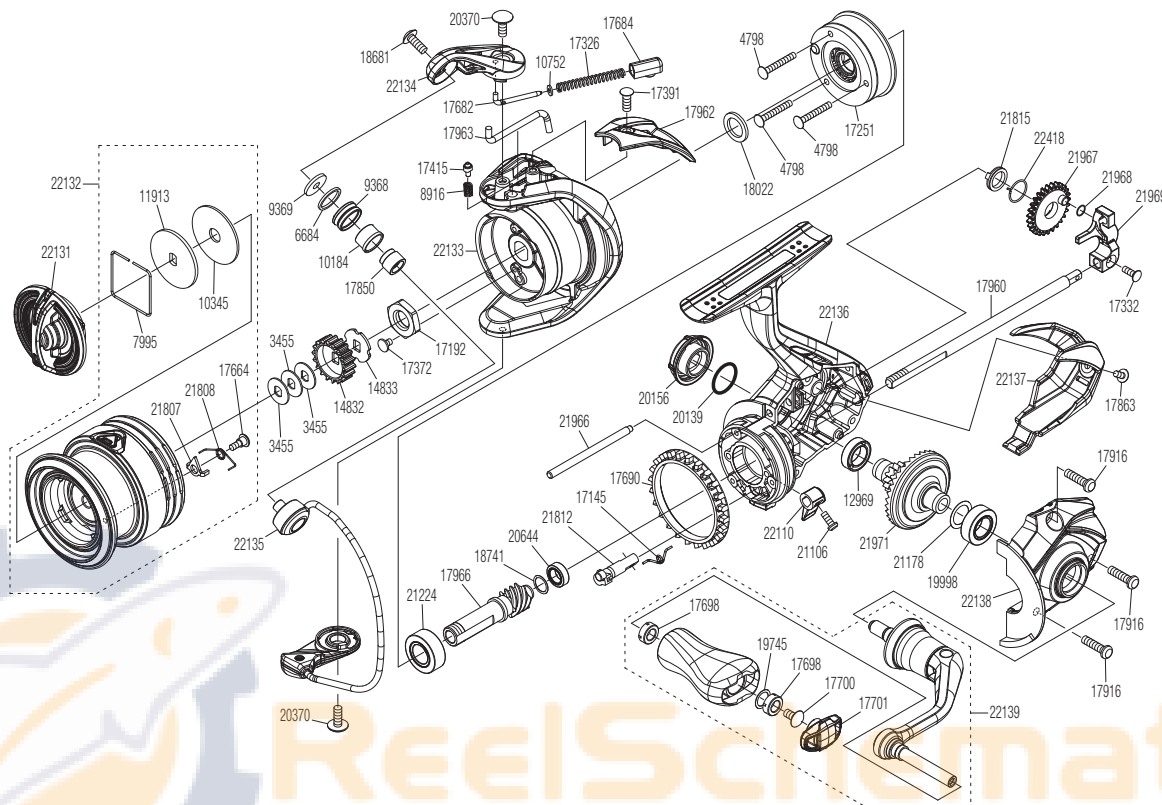


# SHIMANO

## SAHARA

## SH-1000



Please note that the number of adjusting washers may not always be the same as shown in the exploded views.  
Please note that your actions take full responsibility when you take it apart.

(51SF572B10X)

Part No.	Description	Part No.	Description	Part No.	Description
RD 3455	Spool Washer	RD17698	Bushing	RD21966	Oscillating Guide
RD 4798	Screw	RD17700	Screw	RD21967	Oscillating Gear
RD 6684	Spacer	RD17701	Handle Knob Seal	RD21968	O Ring
RD 7995	Retainer	RD17850	Collar	RD21969	Oscillating Slider
RD 8916	Click Spring	RD17863	Screw	RD21971	Drive Gear
RD 9368	Line Roller	RD17916	Screw	RD22110	Anti Reverse Lever
RD 9369	Washer	RD17960	Main Shaft	RD22131	Drag Knob Assembly
RD10184	Bushing	RD17962	Bail Spring Cover	RD22132	Spool Assembly
RD10345	Drag Washer	RD17963	Bail Trip Lever	RD22133	Rotor
RD10752	Bail Spring Guide A Collar	RD17966	Pinion Gear	RD22134	Bail Arm
RD11913	Key Washer	RD18022	Washer	RD22135	Bail Assembly
RD12969	Ball Bearing	RD18681	Screw	RD22136	Body Assembly
RD14832	Spool Support A	RD18741	Washer	RD22137	Rear Protector
RD14833	Spool Support B	RD19745	Washer	RD22138	Side Cover
RD17145	Anti Reverse Cam Spring	RD19998	Ball Bearing	RD22139	Handle Assembly
RD17192	Rotor Nut	RD20139	O Ring	RD22418	Bushing Spring
RD17251	Roller Clutch Assembly	RD20156	Handle Screw Cap		
RD17326	Bail Spring	RD20370	Screw		
RD17332	Screw	RD20644	Ball Bearing		
RD17372	Screw	RD21106	Screw		
RD17391	Screw	RD21178	Washer		
RD17415	Click Pin	RD21224	Ball Bearing		
RD17664	Screw	RD21807	Drag Click		
RD17682	Bail Spring Guide A	RD21808	Drag Click Spring		
RD17684	Bail Spring Guide B	RD21812	Anti Reverse Cam		
RD17690	Friction Ring	RD21815	Bushing		